

## More Information

---

HP 436A remote programming information can be found in the HP 436A Operating and Service Guide.

For more information on the operation of your Agilent E4418B Power Meter in HP 436A emulation mode please ask your local Agilent Sales and Service Office (listed in your Agilent E4418B User's Guide) about more Application Information.



---

## Update Information

For Firmware Release  
A1.05.00 or later

**Agilent E4418B  
single channel  
Power Meter**

---

### For use with:

**User's Guide E4418-90032 and  
Programming Reference Guide E4400-90029**

The latest operating firmware installed in your Agilent E4418B Power Meter includes a feature not detailed in the supplied User's Guide or Programming Reference. This document shows you how to access this new feature. Please make sure you retain it for reference in the inside cover of your Agilent E4418B Power Meter *User's Guide*.

### What Is The New Feature?

---

We've added an additional remote language emulation mode. You can now configure your Agilent E4418B Power Meter to operate in HP 436A language emulation mode.

---

**NOTE** The HP 436A remote language emulation mode is operational only through the GPIB (IEEE 488) interface. The HP 437B remote language emulation mode and SCPI commands can also use the RS232/RS422 serial interface.

---

### Why Has This Feature Been Added?

The HP 436A is frequently operated in remote mode. With the addition of the HP 436A language emulation mode, it is now possible to replace the HP 436A in most applications with an Agilent E4418B thus minimizing any rework of your programs.

Manufacturing Part Number

**E4418-90047**



## Starting HP 436A Language Emulation Mode

You can configure your Agilent E4418B Power Meter in the HP 436A language emulation mode from the front panel or via the remote interface.

**NOTE** The following procedures assume the power meter has been powered on and the self tests have been completed successfully.

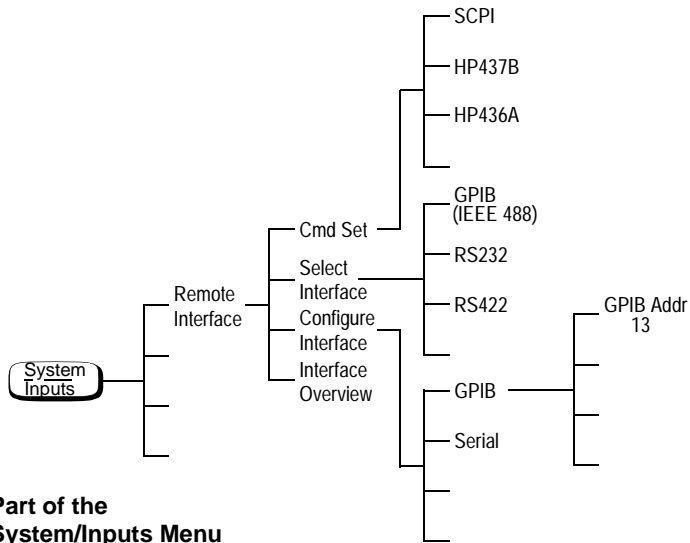
### Configuration Using the Front Panel

The 436A emulation mode is selected from the System /Inputs menu. Configure your power meter using the front panel keys as follows:

- Press **System Inputs**, **Remote Interface**, **Cmd Set**, **HP 436A**.

A Preset is recommended following a change of language. If the 436A key is grayed out (disabled), proceed as follows:

- Press **System Inputs**, **Remote Interface**, **Select Interface**, **GPIO (IEEE488)**, **Prev**, **Cmd Set**, **HP 436A**.



Part of the System/Inputs Menu

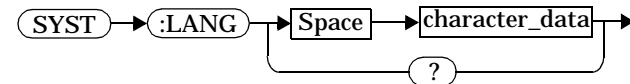
- Check and, if required, change the address by pressing **System Inputs**, **Remote Interface**, **Configure Interface**, **GPIB**. Use the arrow keys to select the required address. Press **Enter** to confirm your selection.

## Configuration Using the Remote Interface

The 436A emulation mode is selected using the SYSTem:LANGuage command. This command allows the selection of SCPI, HP 437B or HP 436A languages. After sending the language change command, wait 100 ms before sending any other commands.

### SYSTem:LANGuage<character\_data>

#### Syntax



#### Parameters

Item	Description/Default	Range of Values
character_data	Character data containing the programming language	HP436A, HP437B or SCPI

#### Example

SYST:LANG HP436A

*This command sets the power meter to operate using the HP 436A programming language.*

#### Query

SYST:LANG?

The query returns the current setting of the remote programming language setting.

#### Query Example

SYST:LANG?

*The query returns the current remote programming language setting.*

**NOTE** The settings are not affected by a power off / power on cycle or a reset function.